



www.cnsanipro.com

www.cnsanipro.com

**SANIPRO**



**SANIPRO**

**Ningbo Master Building Material Co.,Ltd**

Add: A501, Lishi Plaza, No. 61 Huifeng(E) Road, Ningbo, China(P.C: 315192)

Tel: 0086-574-88111805 Fax: 0086-574-88127209

E-mail: ss@cnsanipro.com sp@cnsanipro.com

NINGBO MASTER BUILDING MATERIAL CO.,LTD.

# Create Living Comfort

## About us

**SANIPRO** (Ningbo Master Building Material Co.,Ltd) is a professional manufacturer and exporter since the year 2004. Supported by our dedicated team of R&D, Manufacturing, Quality controls, Sales, and After-sales personnel, which made us be your preferred partner.

Our products include barn door hardware, sliding door hardware, shower drain, linear drain, floor drain, triangular drain, square drain, made of stainless steel, brass, zinc and plastic.

We have established comprehensive quality control system that keeps all products in accordance with regulations of ISO 9001-2000. Our quality control is implemented in every step of the production process.

## Tools and Machines

- \* CNC machines
- \* Laser cutting machines
- \* Punching machines
- \* Metal processing machines
- \* Plastic injection molding machines

## Business scopes

- \* Selections from our existing products
- \* Taylor made to suit customer need
- \* OEM products to customer's design with complete new Molds and Dies fabrications

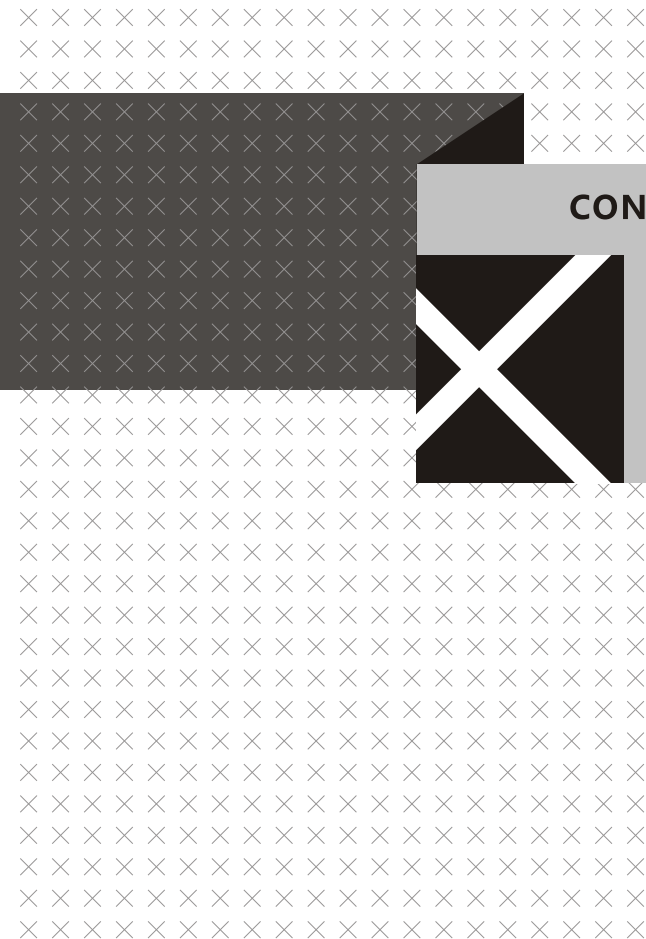
## Existing business coverage:

Having over of 10 years of manufacturing, we have exported to more than 30 countries, including UK, Germany, France, USA, Canada, Mexico, Australia, Saudi Arabia, Syria, Kuwait, Nigeria, South Africa, Brazil--etc.

2016

SLIDING DOOR  
HARDWARE  
SERIES  
TOP





**CONTINUOUS INNOVATION  
PURSUIT OF EXCELLENCE**

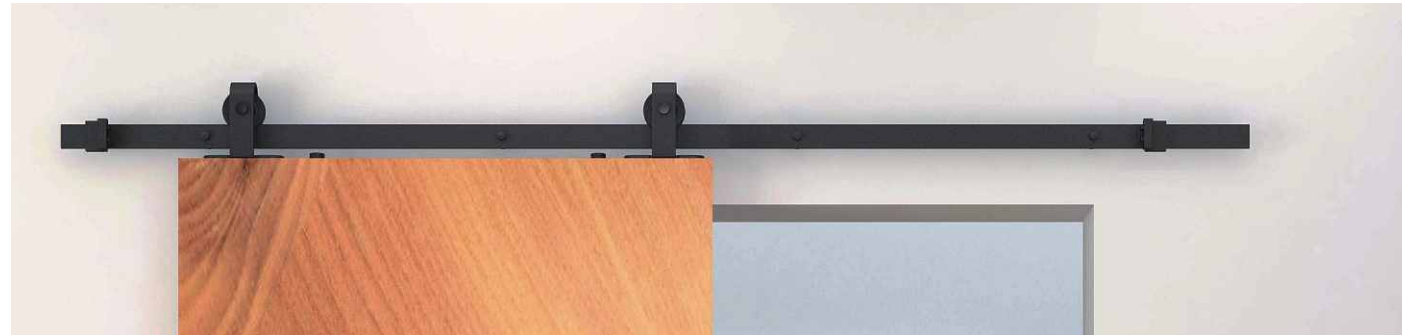
Master people have been striving for innovation, and pursuing excellence continuously. Based on the integration of R&D and production, Master supplies high standard and good quality products, and makes every effort to improve quality of people's life.

**INTEGRITY-CENTERED  
CUSTOMERS FIRST**



**FACTORY  
PLANTS**





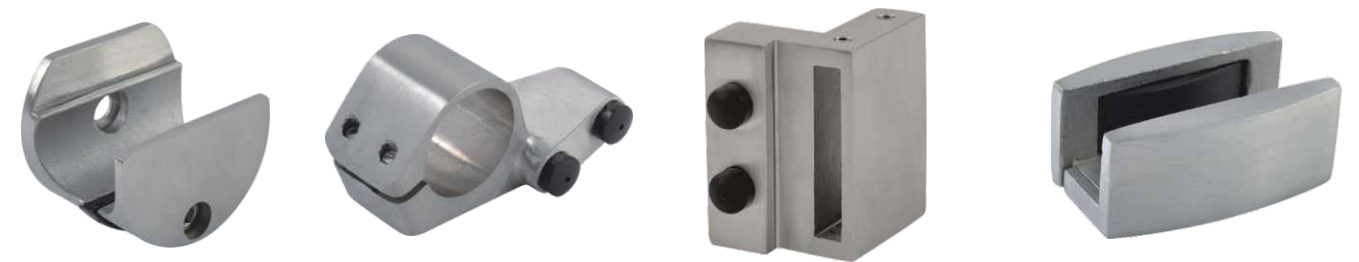
# ACCESSORIES

We introduced bringing exterior sliding hardware into homes and offices to save space. Turn your normal door into an innovative sliding door. See the magic of barn door hardware and hear the silence of the Soft Close / Soft Stop feature. All the kits and categories you see on our website do the same function. Whether it's listed under Flat Track, Sliding Door Hardware, Modern Hardware, Tubular Track...they're all just a variety of styles with the same function, they all slide.

Trustful quality and workmanship is what you can expect when you choose SANIPRO. We lead the way in sliding barn door hardware and we invite you to create something unique.

We now have 5ft(1.5M)/6ft(1.83M)/6.6ft (2M)/ 10ft(3M) /12ft(3.6M)/13ft(4M) /track for selection.

Name of Commodities	Photo	Installation Notes	1.5(M)	1.83 (M)	2 (M)	
			5FT	6FT	6.6FT	
Sliding Roller		carbon steel+black powder coating/painting	2pcs	2pcs	2pcs	4pcs
Sliding Track		carbon steel+black powder coating/painting	1pcs	1pcs	1pcs	1pcs
Wall Mount		carbon steel+black powder coating/painting	4pcs	4pcs	5pcs	5pcs
Mounting Bolts	 Option 1	carbon steel+black powder coating/painting	4pcs	4pcs	5pcs	5pcs
	 Option 2	carbon steel+black powder coating/painting	4pcs	4pcs	5pcs	5pcs
Door Stopper		ZINC+black powder coating/painting	2pcs	2pcs	2pcs	4pcs
Anti-jump Block		POM+black	2pcs	2pcs	2pcs	4pcs
Bottom Guide		POM+black	1pcs	1pcs	1pcs	2pcs
Installation Tools		steel	1pcs	1pcs	1pcs	1pcs



# CLASSIC BLACK STEEL BARN DOOR HARDWARE



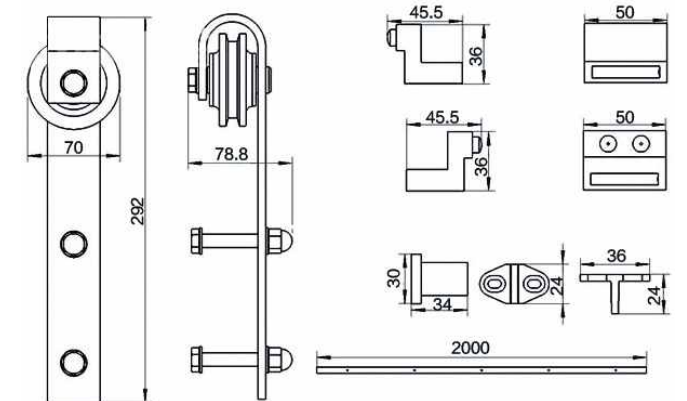
Mounting rails for two doors, left and right limits the distance traveled and the braking action.



MST-BDH-C01

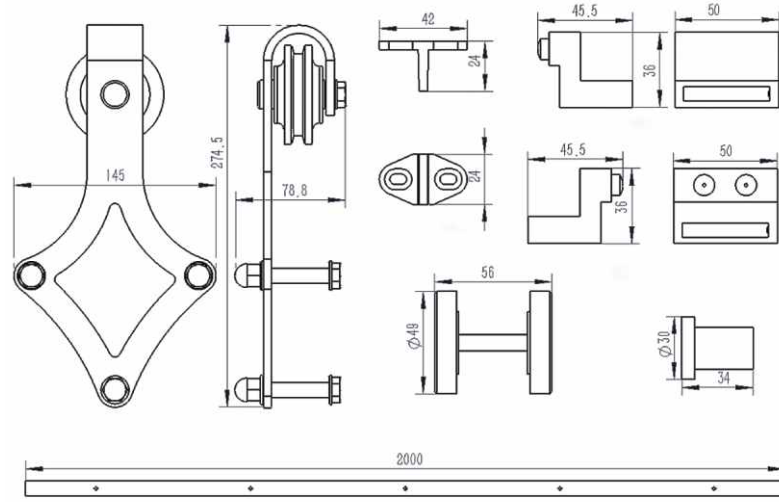


MST-BDH-C02

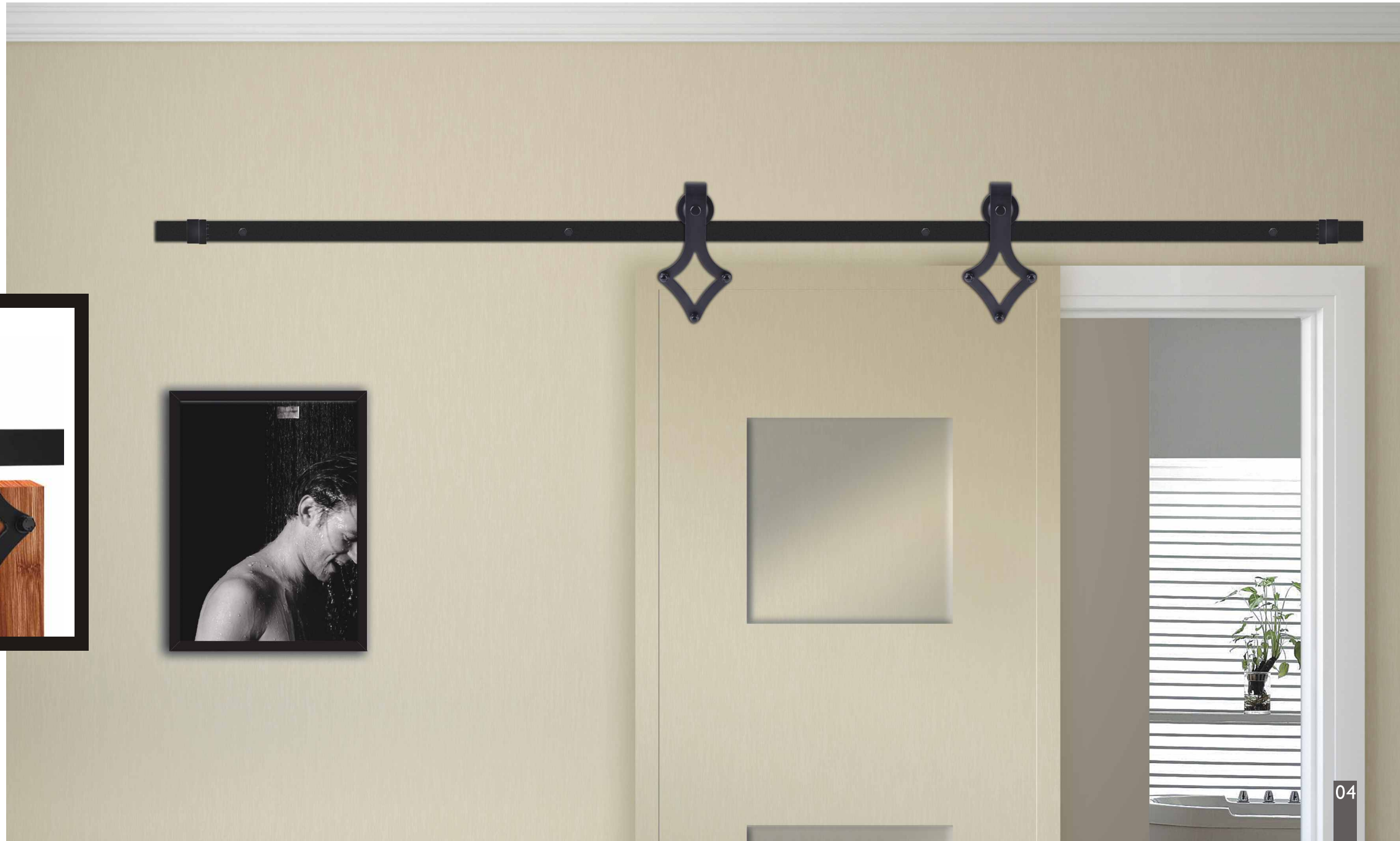
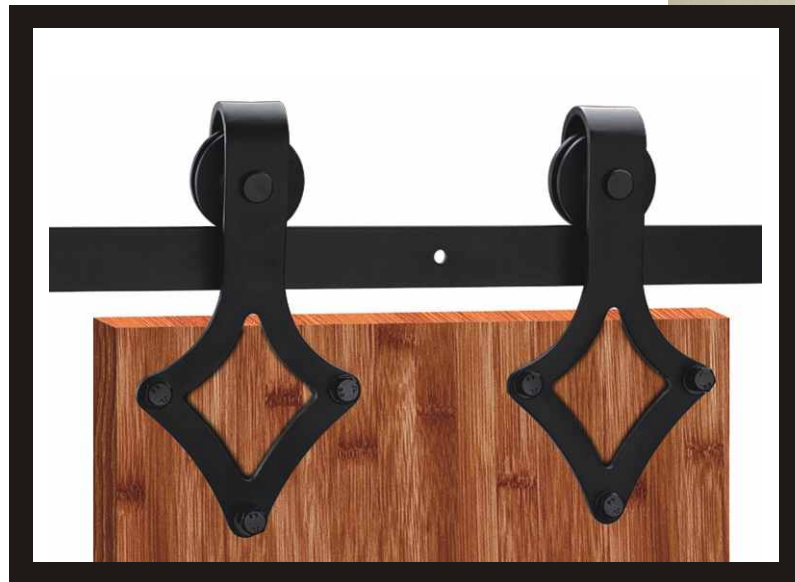




MST-BDH-C03



# DIAMOND ANTIQU STYLE BARN DO HARDWARE



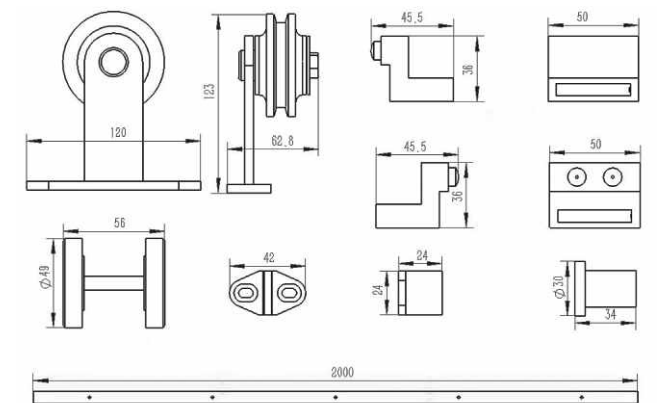




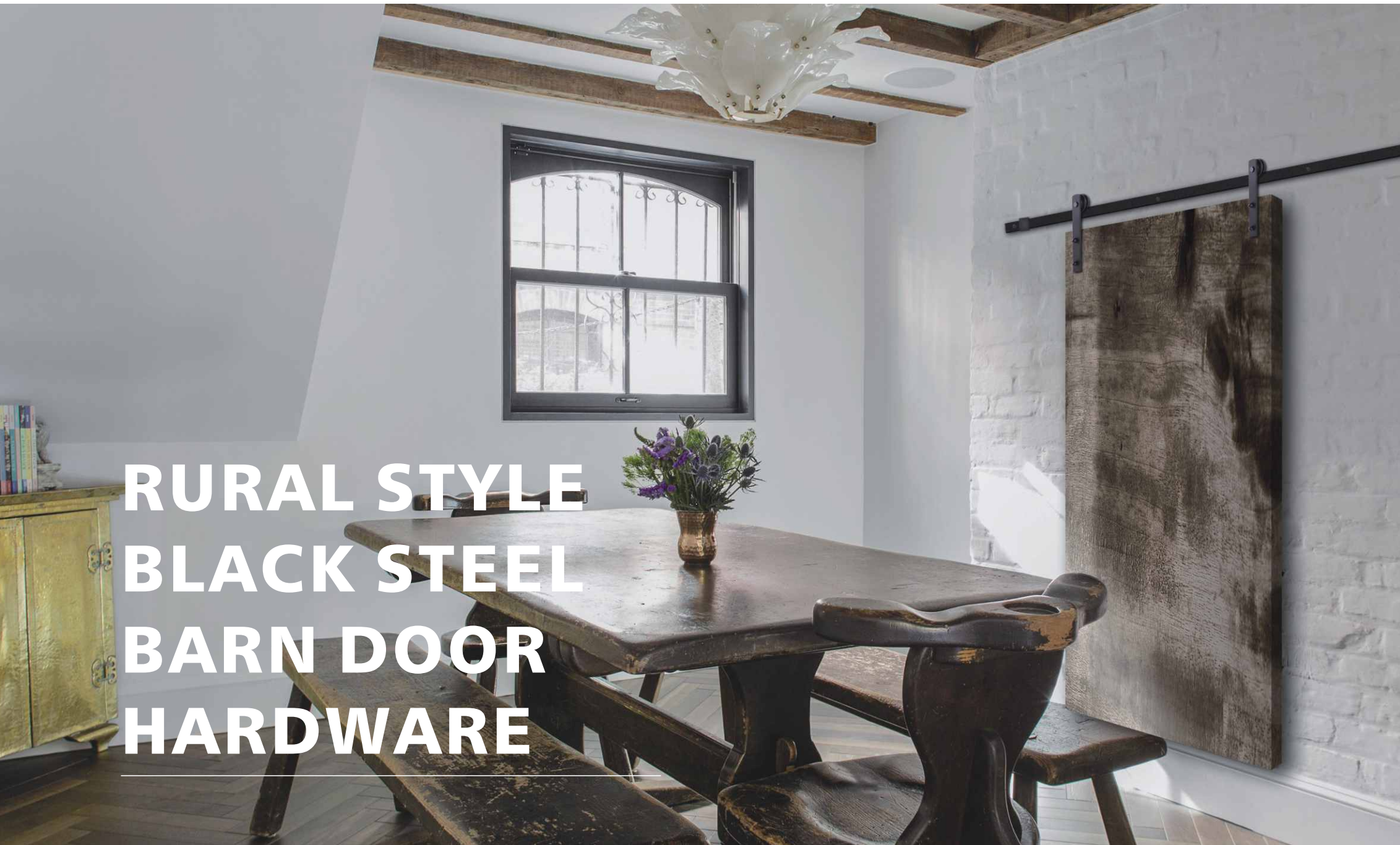
# MICRO TOP MOUNT BARN DOOR HARDWARE



MST-BDH-C05





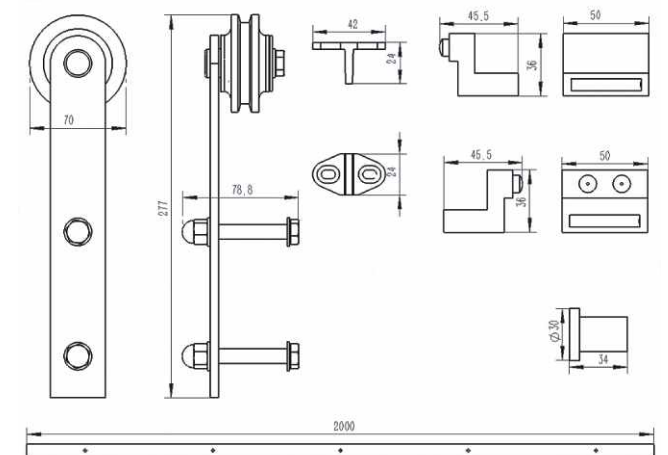


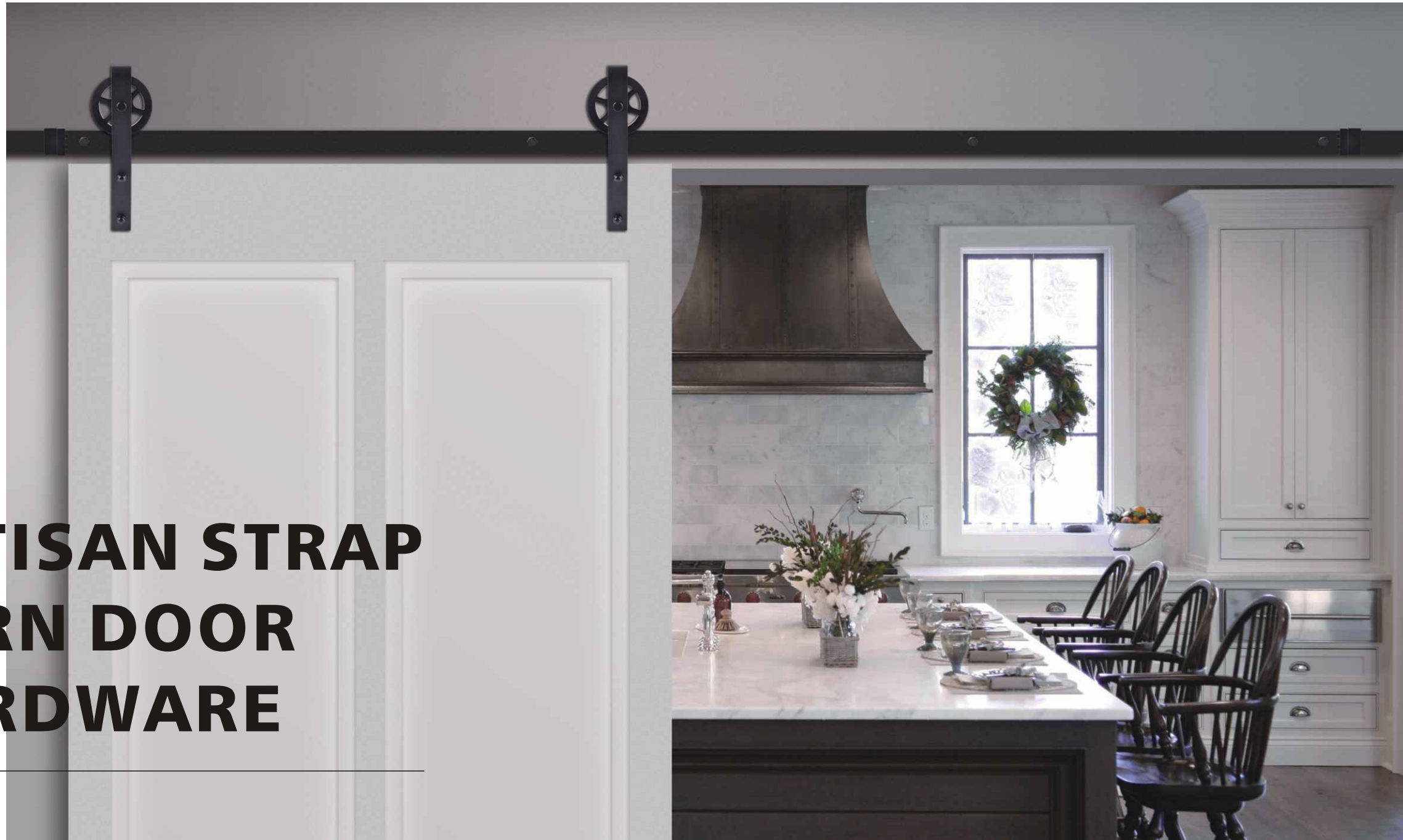
# RURAL STYLE BLACK STEEL BARN DOOR HARDWARE



MST-BDH-C06

MST-BDH-C07

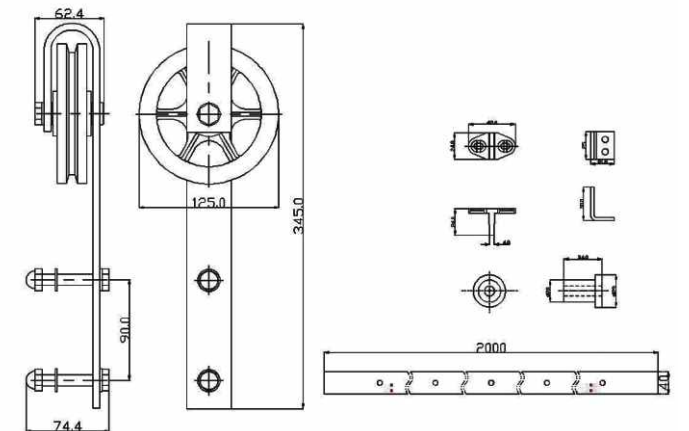




# ARTISAN STRAP BARN DOOR HARDWARE



MST-BDH-C08





# CROSS SHAPED SLIDING DOOR HARDWARE



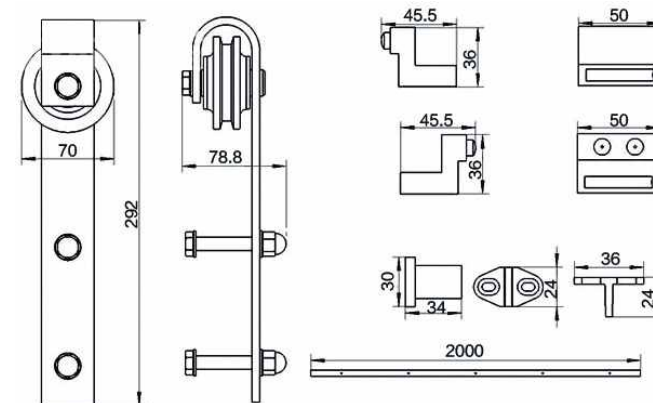
MST-BDH-C09



MST-BDH-C10

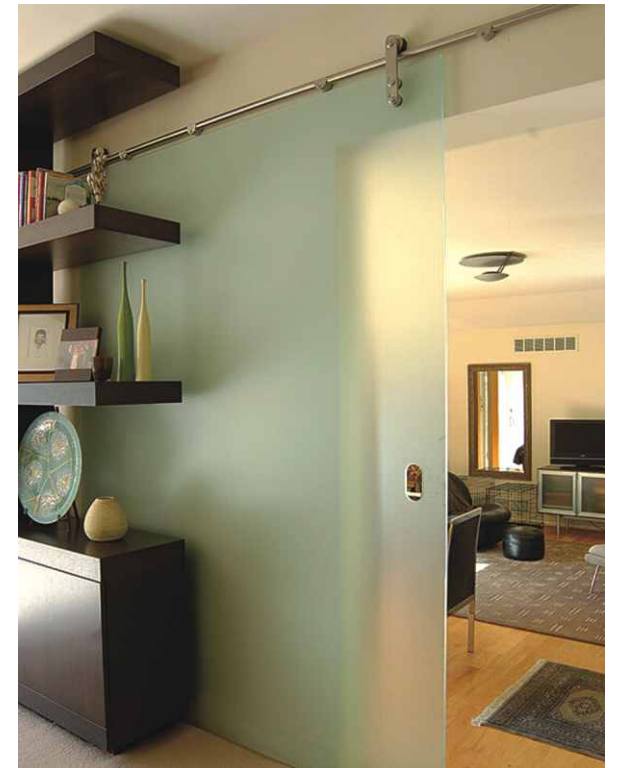


# STAINLESS STEEL SLIDING BARN DOOR HARDWARE



MST-BDH-S03

# STAINLESS STEEL DECORATIVE SLIDING DOOR HARDWARE



MST-BDH-S05





# MODERN STAINLESS STEEL SLIDING BARN DOOR HARDWARE



MST-BDH-S09

